



MI8530 SERIES ~ Multilayer Chip Suppressions /

High Current Chip Bead



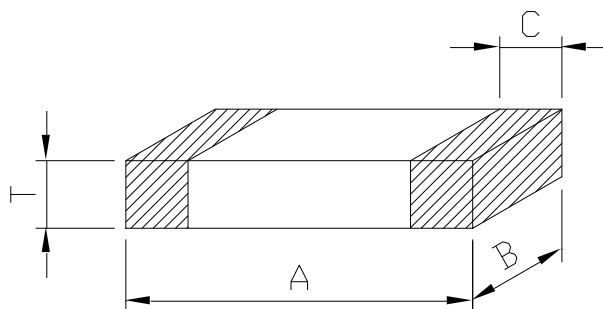
PART NUMBERING SYSTEM

<u>MI</u> TYPE	<u>8530</u> DIMENSIONS	—	<u>101</u> IMPEDANCE	—	<u>10A</u> DC CURRENT	—	<u>LF</u> LEAD FREE
--------------------------	----------------------------------	---	--------------------------------	---	---------------------------------	---	-------------------------------

SHAPES AND DIMENSIONS

UNIT : mm

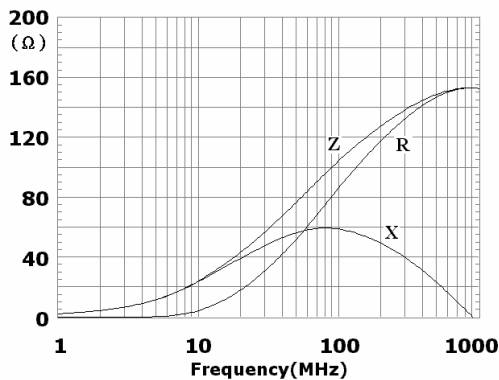
A=8.5±0.2 B=3.05±0.2 C=0.89±0.2 T=2.28±0.2



SPECIFICATION TABLE

PART NUMBER	IMPEDANCE (Ω) at 100MHz	DCR (Ω) (Max.)	IDC (A) (Max.)
MI8530-101-10A-LF	100±25%	0.004	10.0

- Operating temperature range -55°C to +125°C , Electrical specifications at 25°C.



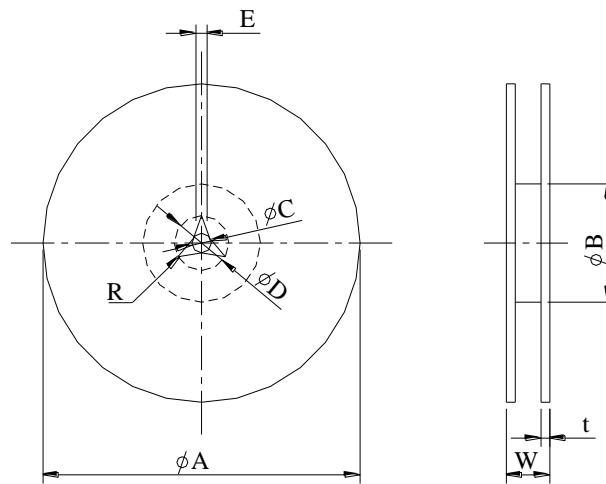


MI8530 SERIES ~ Multilayer Chip Suppressions /

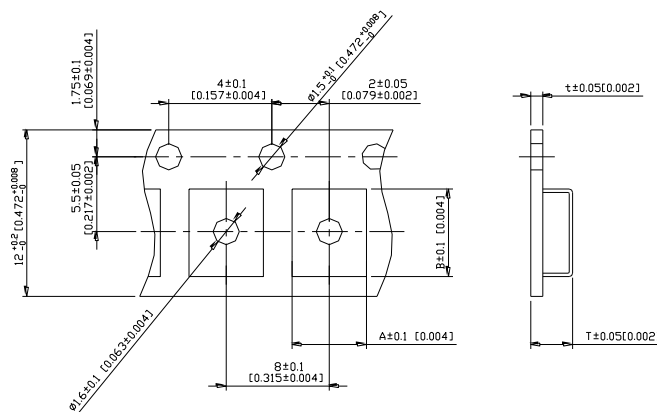
High Current Chip Bead



PACKAGING SPECIFICATION



	A	B	C	D	E	W8	W12	t	R
T($\psi 178\text{mm}$) Reel	$\psi 178 \pm 2$	$\psi 60 \pm 1$	$\psi 13 \pm 0.8$	$\psi 21 \pm 0.8$	2	10 ± 1.5	14.5 ± 1.5	1.27 ± 0.2	1



TYPE	A	B	T	t	T($\phi 178\text{mm}$)	T($\phi 330\text{mm}$)
MI 8530	2.90	4.90	1.40	0.3	-----	2,500 pcs/reel